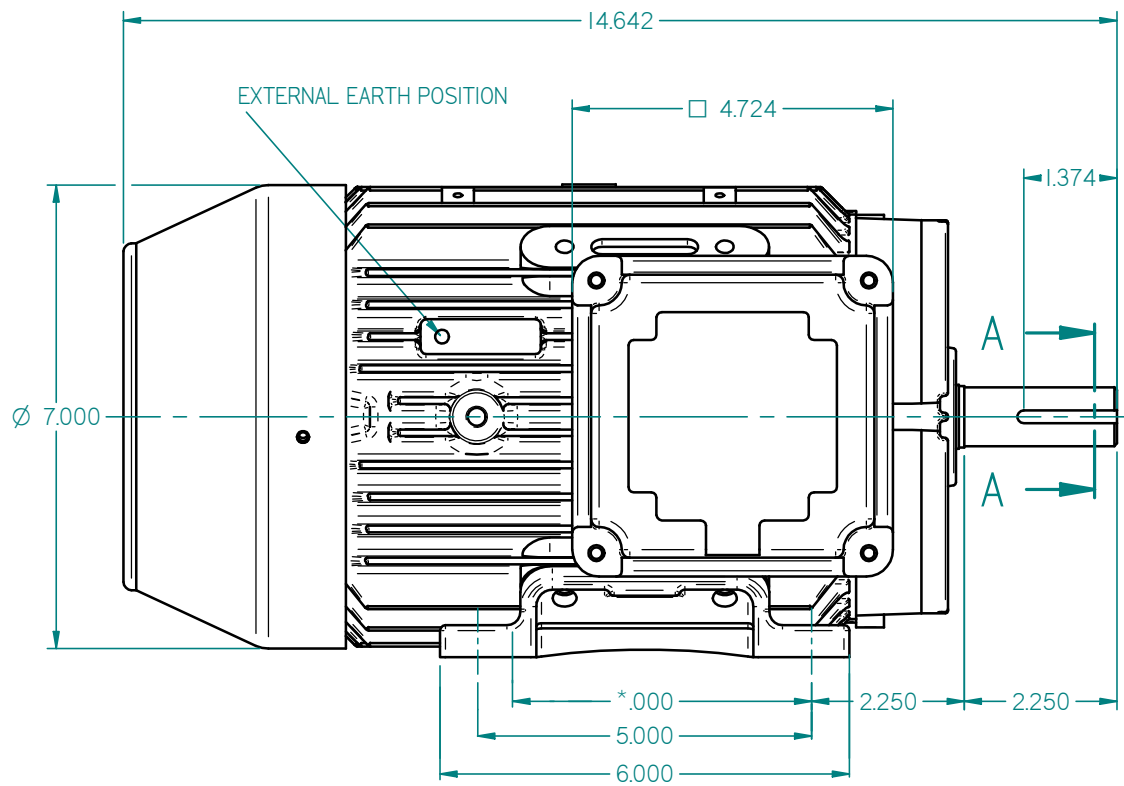
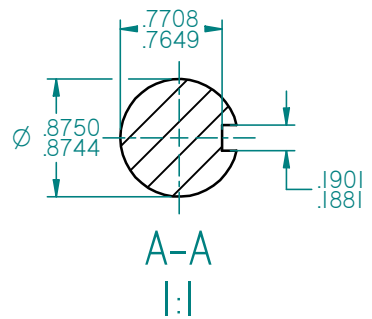


CABLE ENTRIES 1X0.75" NPT



EXTERNAL EARTH POSITION



STANDARD TERMINAL BOX POSITION IS 9 O'CLOCK AS SHOWN.
CONDUIT ENTRIES:- TERMINAL BOX CAN BE ROTATED AT 90° INTERVALS
(CONDUIT ENTRY POSITION SHOWN FOR ILLUSTRATION ONLY)

ALL DIMENSIONS IN INCHES



FIRST ANGLE
PROJECTION

**BROOK
CROMPTON**

SHEET
SIZE
A3

TITLE:
OUTLINE DIMENSION DRAWING W CAST IRON TOTALLY ENCLOSED FAN COOLED
WP-DF14HBT- FRAME FOOT MOUNTED MOTOR

	NAME	DATE
DRAWN	DL	23-11-12
CHECKED		
SCALE	1 : 2	

DRG. No.	
DRG. REF.	
REVISION:	
DATE:	